



CMP-03 Solar Charge Controller

1A/3A 6V/12V

PHOTOVOLTAIC CHARGE CONTROLLER

INSTALLATION AND OPERATION

MANUAL



IMPORTANT SAFETY INSTRUCTION

Connect the controller to your battery first and then connect solar panel and inverter or applications.

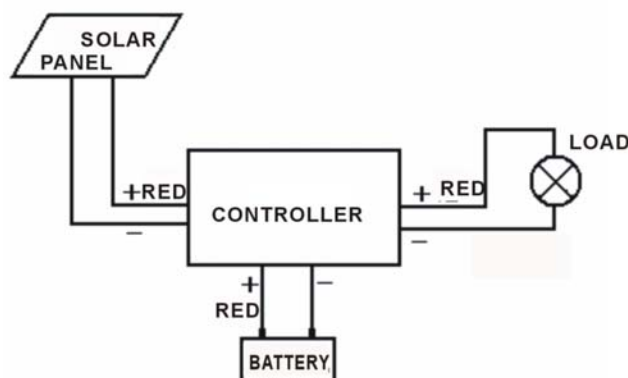
Fitting for the solar lighting system is automatically controlled below 1A (6V) for both lighting and solar panel.

Function:

1. Preventing battery from over charging, over discharging and Reverse-Current during nights.
2. Controller will start up the lighting system in the evening automatically according to the intensity of the light
3. Controller will shut down the lighting system automatically (A: If the battery is full, it will shut down the lighting system automatically when it is dawn; B: If the battery is not full, it will be advanced to shut down the lighting system automatically).

Connection (See the drawing below):

1. Please make sure according to the following step order.
2. Connect the “+”, “-” Poles of the battery to the relevant terminal of the controller firmly and correctly.
3. Connect the “+”, “-” Poles of the solar panel to the relevant terminal of the controller firmly and correctly.
4. Connect the “+”, “-” Poles of the load to the relevant terminal of the controller firmly and correctly.



Attention Items:

1. before connection, please check and confirm the rated voltage of the solar panels, batteries and the loads carefully. These must be same rated voltage, all 6V.
2. The rated current of the solar panels and the load must be less than the rated current of the controller (1A).
3. The load of the controller can not be short-circuiting.
4. It should not charge up the battery by other powers instead of solar panels according to controller.

Data Sheet:

- **Model: CMP-03**
- **Rated Voltage: DC6V OR 12V**
- **Max Current: 1A OR 3A**
- **voltage of solar panels: $\leq 6V(1A, 6V), 12V(1A, 12V), 18V(3A, 6V), 36V(3A, 12V)$**
- **Charge-stop Voltage: 7.2V**
- **Coefficient of Stop Voltage and Temp: $-3mV/^{\circ}C/cell$**
- **Size: 55×36×20mm**
- **Supply-stop Voltage: 5.3V**
- **Supply-resume Voltage: 6V**
- **Light Control Mode: Visibility 30M**
- **Working Temp: $-10- +40^{\circ}C$**
- **Relative Humidity : $\leq 90\%$**

- **Weight:33g**

Notice:Sensor Control if customer need it.

KONEZE INDUSTRIAL CO.,LTD

Flat C, 15th Floor, Unionway Commercial Centre, 283 Queen's Road, Central, HongKong

Tel: 00852-81355373 Fax: 00852-81355376 www.koneze.com